

HEADSETS 車頭碗組

Integrated Threadless Headsets	全隱藏式無牙車頭碗	P.2 ~ P.10
Semi-Integrated Threadless Headsets	半隱藏式無牙車頭碗	P.11 ~ P.28
Semi-Integrated Threaded Headsets	半隱藏式有牙車頭碗	P.29 ~ P.35
External Cup Threadless Headsets	外露式無牙車頭碗	P.36 ~ P.47
External Cup 130° Safety Headsets	外露式安全車頭碗	P.48 ~ P.49
External Cup Threaded Headsets	外露式有牙車頭碗	P.50 ~ P.61

ACCESSORIES 配件

P.63 ~ P.68

BOTTOM BRACKETS B.B. 五通碗組

Cartridge Cotterless B.B Sets	P.70 ~ P.77
Cartridge ISIS B.B Sets	P.78 ~ P.79
External Cup / Press-Fit B.B Sets / Bottom Brackets	P.80 ~ P.85

CHAINWHEELS 齒盤

City/Crank/FixedGear/Folding/Mountain/Road 城市車用/曲柄/單速車用/摺疊車用/登山車用/跑車用	P.87 ~ P.124
--	--------------

PEDALS 腳踏

CNC Pedals/BMX/City Mountain/Road/Child' s 鋁合金腳踏/表演車用/城市車用/登山車用/跑車用/童車用	P.126 ~ P.136
--	---------------

HUBS 花鼓

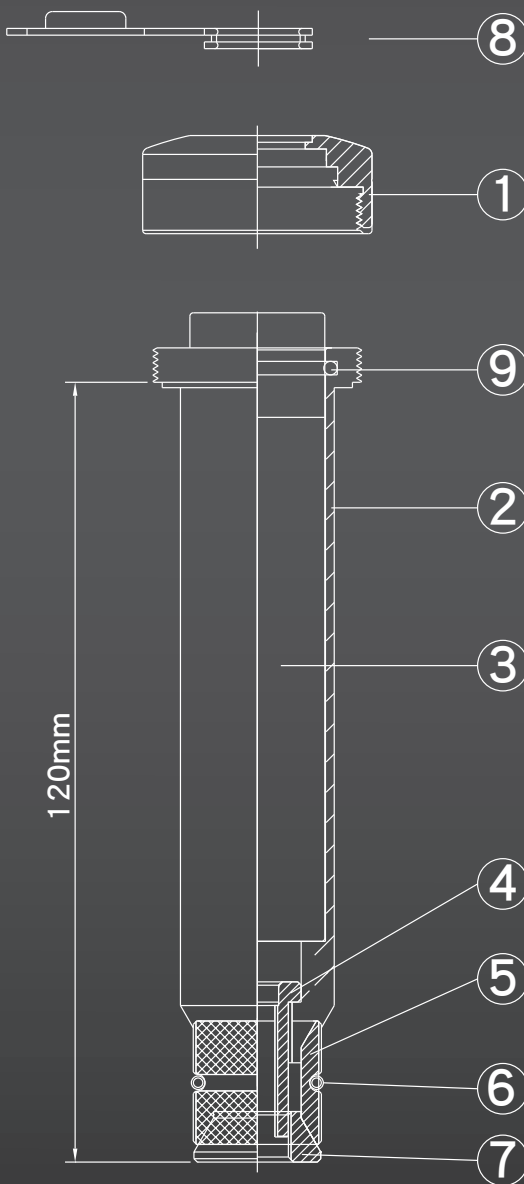
Road/Mountain Bikes 跑車用/登山車用 Quick Release 快拆	P.138 ~ P.146
--	---------------

PACKAGING 補修包裝

P.147 ~ P.148

NEW

NECO 3 行動電源智能碗組 NECO 3 Intelligent Protatable Charger



8 產品特點 Product Features

- Applicable to fork stem with inner diameter $\varnothing 23\text{mm}$ to $\varnothing 26\text{mm}$
適用於自行車前叉內徑 $\varnothing 22.8\text{mm}$ 到 $\varnothing 26\text{mm}$
- Convenient to charge smart phone and electronic accessories by USB when cycling
有效的在騎行中藉由USB充電並且搭配電子配備使用
- Available to use with consumer electronic products in daily life
日常生活中方便攜帶搭配電子產品使用
- 鋁蓋+組件，重量133.2g。
- 橡膠蓋+組件，重量121.6g。
- Aluminum Cover + Components, weight around 133.2g。
- Rubber Cover + Components, weight around 121.6g
- 堆積高度(STACK HEIGHT)= $28.8\pm 1\text{mm}$

NO	零件名稱 PART NAME	材質 MATERIAL	圖號 DRAWING NO.	個組 GROUPS	尺寸 DIM. DESCRIPTION
1	防塵蓋 Shuttered	6061/T6	C003B-1	1	$\varnothing 34$
2	鋁筒 Aluminum cylinder	6061/T6	C003B-2	1	$\varnothing 22.8 \times 106 \times M34$
3	電池本體 Battery	6061/T6	C003-3	1	5V1A
4	六角中空螺絲 Hexagon hollow screw	10B21	254G-7	1	M10 \times 1.5 \times 24
5	壓力片 Pressure plate	6061/T6	286GX-4	3	$\varnothing 22 \times 13 \times 18.3 \times 30'$
6	彈簧 spring	台灣鋼線72C Steel Wire 72C	286G-5	1	$\varnothing 19.5 \times 15.5 \times 2$
7	下壓力片 Under pressure plate	6061/T6	286G-3	1	$\varnothing 28.2 \times 10.2 \times 14.5 \times 30'$
8	橡膠蓋 Rubber Cover	橡膠 NBR	C003-0	1	
9	O型環 O-Ring	橡膠 NBR	C003A-8	2	$\varnothing 20 \times 2$

NEW

NECO 4 智能發電花鼓不斷電系統 NECO 4 Dynamo Hub Power Generator-UPS System

輸出5V, 2A供電池充電
Output:5V/ 2.0A

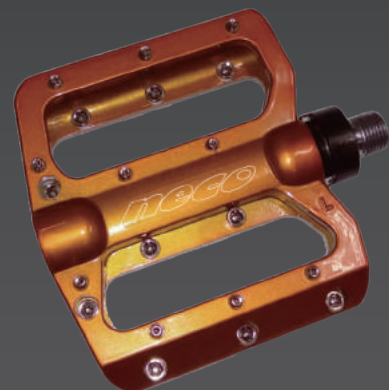


- 1.防護蓋 Dust Cover
- 2.電池組 Battery
- 3.充電座 Charger
- 4.外套組 Tube

- 擁有我司特殊設計的UPS不斷電系統
- 經過內部DC TO DC 後，輸出穩定的5V直流電
- 透過發電花鼓及UPS系統，可以在騎行中搭配NECO 3使用並且提供智能設備足夠的電能
- Has its own uninterruptible power supply (UPS)
- Providing a stable DC output of 5V via the internal DC to DC converter
- Storing the power from NECO 4 to NECO 3 while cycling with NECO 4-UPS system

NEW

防盜安全腳踏 Anti-theft Security Pedals



NECO-WP-908C

BODY Alloy 鋁
AXLE Cr-mo 鉻鉬鋼
BEARING Sealed Bearing 密封式培林
SIZE 108x108mm
WEIGHT 548g/pair

Patent No.
Taiwan: 105211964,
China:201620848170.X

產品特點:

不需使用手動工具,即能輕鬆拆卸及組立腳踏,所以在騎乘中可以輕鬆拆卸腳踏,亦可在臨停時自行拆卸存放,達防止自行車被偷竊效果。

Products Features: Easily dismantle and assemble the pedals without using hand-operated tools, It can prevent stolen from thief and saves your assemble time.

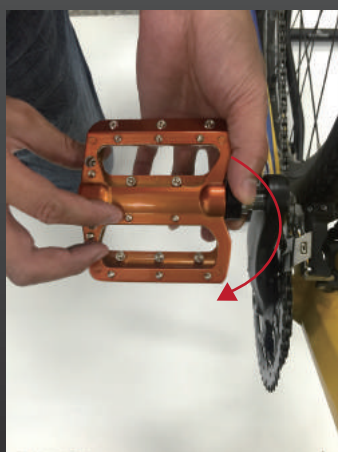
組裝方式說明

Assembly of Anti-theft Security Pedal
Assembling description,
please see the illustration as below

1. 按住固定座往腳踏板方向推,再鎖入曲柄腿牙紋內
Press permanent seat and push permanent seat towards pedals, and lock crank into screw thread.



2. 將固定座與腳踏板本體卡入卡隼後,將腳踏板鎖緊
Bolt the permanent seat and pedals into tenon then fasten up the pedals.



車頭碗組 HEADSETS